

# Valves for oil filled transformers

## Type 03199

**HEROSE**



### Outlet Valves, DIN 42568

Bronze body, screwed topwork in brass  
Outlet with cap and chain

### Part No. 03199.0150.0060

Inlet: round flange drilled acc. to DIN PN 6

### Part No. 03199.0320.0060

Inlet: square flange drilled acc. to DIN PN 6

### Available options - on request only:

- Handwheel in cast iron
- Handwheel in bronze
- Valve with opening indicator
- Valve with locking device (with or without lock)

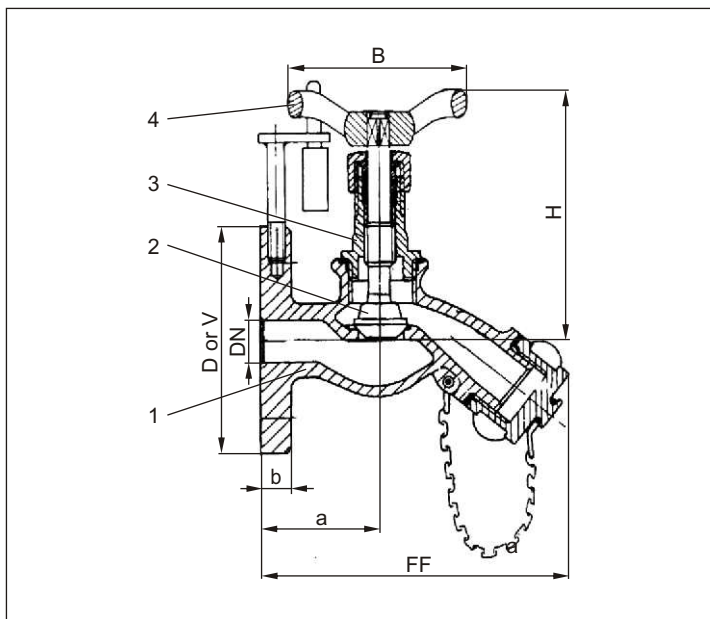


### Applications:

Suitable for transformer oil.

Working temperatures: -25°C / -13°F (248K) up to +115°C / +239°F (388K) and maximal 5.0 bar

| Materials   | DIN EN                        | ASTM             |
|-------------|-------------------------------|------------------|
| 1 Body      | CC491K                        | B 62 UNS C83600  |
| 2 Disc      | CW617N                        | B 283 UNS C38000 |
| 3 Headpiece | CW617N                        | B 283 UNS C38000 |
| 4 Handwheel | Polyamid (synthetic material) |                  |



**Essential:** When ordering or requesting an offer please indicate flow medium, working pressure and working temperature.

| Type 03199             | Technical data |     |     |
|------------------------|----------------|-----|-----|
| Nominal size           | DN             | 15  | 32  |
| Dimension code         | FF             | 110 | 130 |
| Face-to-face dimension | H              | 95  | 135 |
| Round-Flange-Ø         | D              | 80  | -   |
| Square-Flange-Ø        | V              | -   | 90  |
| Length                 | a              | 44  | 55  |
| Width of flange        | b              | 10  | 13  |
| Weight                 | ca. kg         | 1.0 | 2.3 |

Dimensions in mm.