

# Gate Valves

## Type 09065

**HEROSE**



### Gate Valves, PN16, DIN EN 12288

Bronze body, screwed topwork in brass  
with maintenance-free gland packing (O-Ring)  
and non rising stem  
flanged connection acc. to DIN EN 1092-1 PN16

#### Part No. 09065.X.0160

Valve with opening indicator

#### Part No. 09065.X.9001

Valve with opening indicator and locking device without lock

#### Available options - on request only:

· Valve with opening indicator and locking device with lock



### Applications:

Suitable for non-toxic, non-inflammable fluids, gases and vapours.  
The laws, regulations and standards are to observe for the range of application.

Working temperatures and pressures:

up to max. 16.0 bar: -10°C / +14°F (263K) up to +80°C / +176°F (353K)

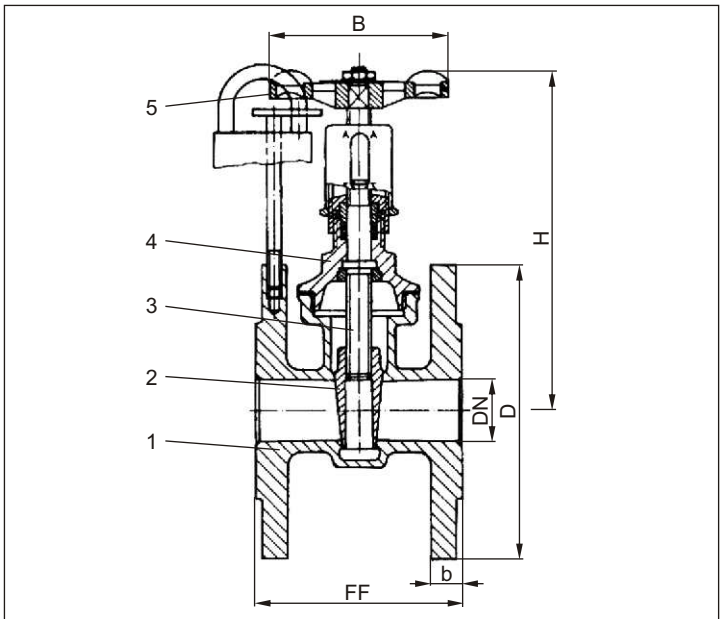
up to max. 10.0 bar: -10°C / +14°F (263K) up to +120°C / +248°F (393K)

up to max. 6.0 bar: -10°C / +14°F (263K) up to +180°C / +356°F (453K)

Materials	DIN EN	ASTM
1 Body	CC491K	B 62 UNS C83600
2 Wedge	CC491K	B 62 UNS C83600
3 Stem	CW612N	B 283 UNS C37700
4 Headpiece	CW612N	B 283 UNS C37700
5 Handwheel	Zinc diecasting	

**Essential:** When ordering or requesting an offer please indicate flow medium, working pressure and working temperature.

Standard marking acc. to Pressure Equipment Directive 97/23/EC (PED).



Type 09065	Technical data						
Nominal size	DN	25	32	40	50	65	80
Dimension code	.X.	0250	0320	0400	0500	0650	0800
Face-to-face dimension	FF	80	90	100	110	130	150
Height	H	140	160	180	290	290	290
Flange diameter	D	115	140	150	165	185	200
Width of flange	b	12	14	14	16	16	18
Handwheel-Ø	B	70	80	90	110	150	160
Weight	ca. kg	2.5	4.2	4.8	6.7	8.8	12.5

Dimensions in mm.