



Strainer, PN16

Y-type pattern, Bronze body
stainless steel strainer screen,
Female thread connection (G) acc. to ISO 7-1 Rp

Part No. 08180.X.0000

screen with 0,6 mm mesh

Part No. 08181.X.0000

screen with 0,25 mm mesh

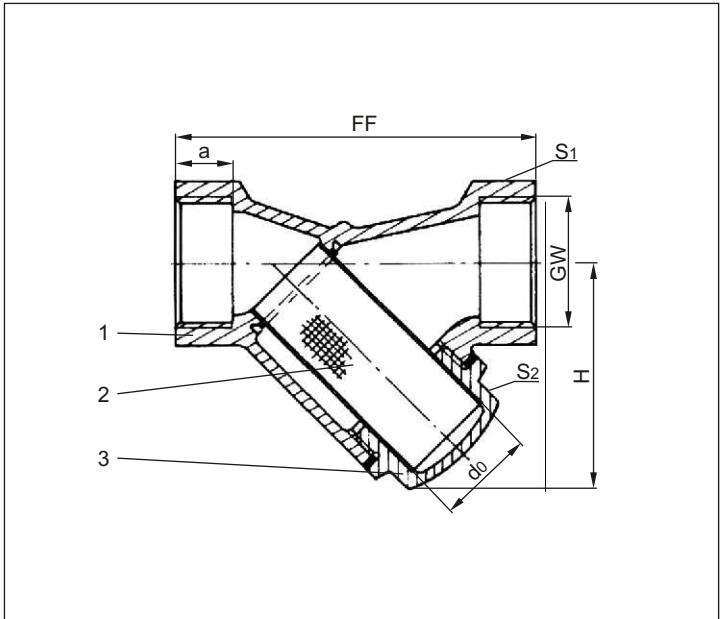


Applications:

Suitable for non-toxic, non-inflammable fluids, gases and vapours.
The laws, regulations and standards are to observe for the range of application.
Working temperatures and pressures:

up to max. 16.0 bar: -10°C / +14°F (263K) up to +120°C / +248°F (393K)
up to max. 10.0 bar: -10°C / +14°F (263K) up to +160°C / +320°F (433K)
up to max. 6.0 bar: -10°C / +14°F (263K) up to +200°C / +392°F (473K)

Materials	DIN EN	ASTM
1 Body	CC491K	B 62 UNS C83600
3 Screen	1.4300	A 276 Grade 302
3 Plug	CW612N	B 283 UNS C37700



Essential: When ordering or requesting an offer please indicate flow medium, working pressure and working temperature.

Standard marking acc. to Pressure Equipment Directive 97/23/EC (PED).



Type 08180 & 08181	Technical data								
Nominal size	GW	1/4	3/8	1/2	3/4	1	1-1/4	1-1/2	2
Dimension code	.X.	0200	0300	0400	0600	1000	1200	1400	2000
Face-to-face dimension	FF	55	55	65	75	90	110	120	150
Height	H	37	37	38	44	57	67	73	85
Socket depth	a	9	9	11	12	14	16	18	202
Flow diameter	d ₀	11	11	12	18	24	31	37	45
Wrench size across flats	S ₁	22	22	27	32	41	50	58	70
Wrench size across flats	S ₂	17	17	19	22	27	36	41	50
Weight	ca. kg	0.20	0.20	0.25	0.35	0.50	0.85	1.00	1.70

Dimensions in mm.