

Valves for Cryogenic Service

Type 09340 - Gate Valve



Cryogenic-Gate Valves, PN50

Stainless steel body and topwork,
one way tightening (in flow direction),
"live loaded" gland packing
"cleaned and degreased for oxygen service"

Part No. 09340.X.002*

*Butt weld connection for stainless steel pipes acc. to DIN EN ISO 1127 or ASTM A312

Part No. 09340.X.0024

Socket weld connection for stainless steel pipes acc. to DIN EN ISO 1127 and ASTM A312

Available options - on request only:

· other connections are in preparation



Applications:

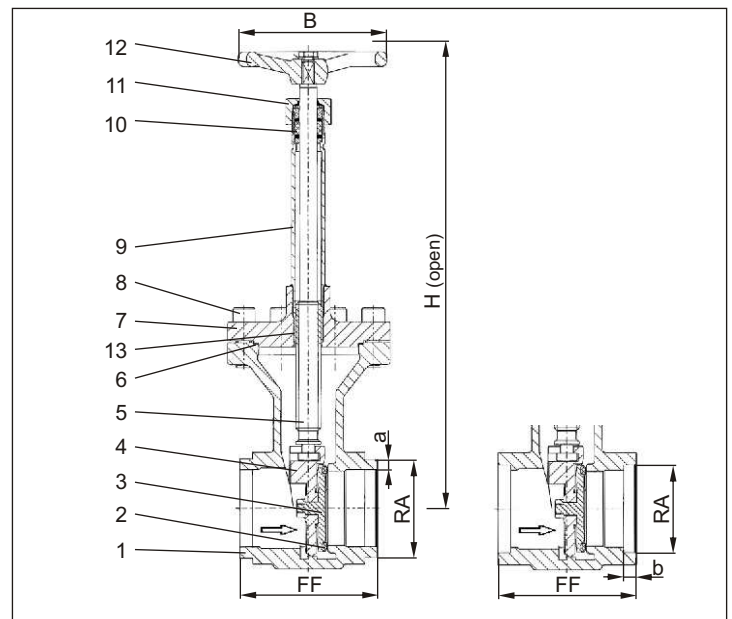
Approved for air gases, vapours and cryogenic liquefied gases incl. LNG.
Working temperature: -196°C / -321°F (77K) up to +120°C / +248°F (393K)

Materials	DIN EN	ASTM
1 Body	1.4308	A 351 CF8
2 Valve seal	PTFE / Carbon filled (25%)	
3 Disc	CW452K	B 103 UNS C51900
4 Wedge	1.4308	A 351 CF8
5 Stem	1.4301	A 276 Grade 304
6 Bonnet gasket	PTFE	
7 Headpiece	1.4308	A 351 CF8
8 Bolts	1.4301/A2	A 194 B8
9 Elongation tube	1.4541	A 213 TP 321
10 Gland packing	Graphite / PTFE	
11 Gland nut	1.4305	A 276 Grade 303
12 Handwheel	Aluminium alloy	
13 Bush	CW452K	B 103 UNS C51900

Standard marking acc. to Pressure Equipment Directive 97/23/EG (PED).



Marking acc. to Directive 99/36/EG (TPED) will only be carried out by written notice on purchase order.



Type 09340	Technical data							
	Nominal size	DN	25	40	50	65	80	100
Dimension code	.X.	2533	4048	5060	657x	8088	0114	
Face-to-face dimension	FF	133	133	110	110	110	130	
Height	H	330	360	410	440	450	570	
Outside pipe-Ø EN ISO 1127	RA	33.7	48.3	60.3	76.1	88.9	114.3	
Wall thickness pipe EN ISO 1127	a	2.0	2.0	2.0	2.6	3.2	3.2	
Outside pipe-Ø ASTM A312	RA	33.40	48.26	60.33	73.03	88.90	114.3	
Wall thickness pipe ASTM A312	a	S10	S10	S10	S10	S10	S10	
Socket depth	b	8	13	16	16	16	20	
Handwheel-Ø	B	125	125	150	150	150	200	
Weight	ca. kg	3.3	4.8	7.5	8.6	11.4	21.8	
Kvs – Value	m ³ /h	43	93	125	283	310	792	
Cv – Value	gal /min	51	111	149	337	369	943	

Dimensions in mm.