

Valves for Cryogenic Service

Type 08432 - Strainer, ANSI Flanges

Cryogenic-Strainer, PN50

Stainless steel body and bronze cap
with strainer screen mesh size 0.25 mm
" cleaned and degreased for oxygen service "

Part No. 08432.X.0003

Flanged connection acc. to ANSI B16.5 class 300

Available options - on request only:

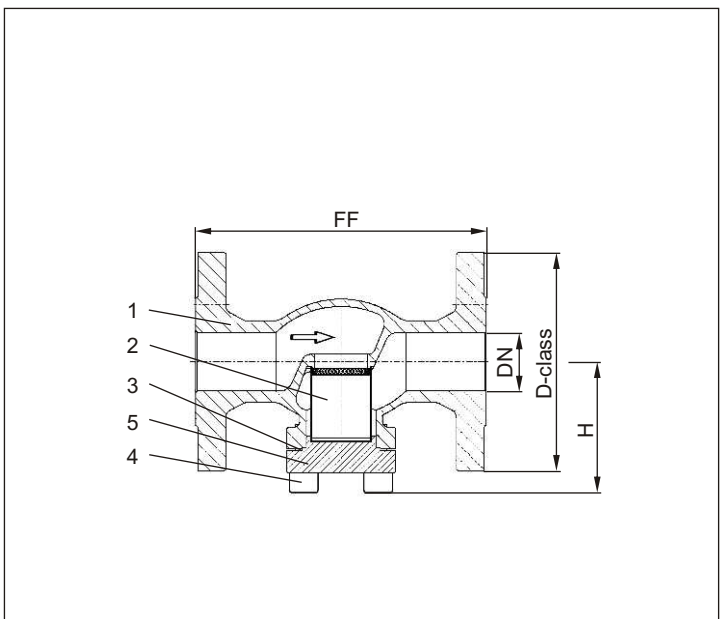
- other mesh sizes for strainer screen (changed flow coefficient)



Applications:

Approved for air gases, vapours and cryogenic liquefied gases incl. LNG.
Working temperature: -196°C / -321°F (77K) up to +120°C / +248°F (393K)

Materials	DIN EN	ASTM
1 Body	1.4308	A 351 CF8
2 Strainer screen	1.4301	A 240 Grade 304
3 Bonnet gasket	PTFE	
4 Bolts	1.4301/A2	A 194 B8
5 Cap	1.4301	A 276 Grade 304



Standard marking acc. to Pressure Equipment Directive 97/23/EG (PED).



Marking acc. to Directive 99/36/EG (TPED) will only be carried out by written notice on purchase order.



Type 08432 – Standard design	Technical data							
	Nominal size	DN	25	40	50	65	80	100
Dimension code - Flange ANSI B16.5 class 300	.X.	1000	1400	2000	2400	3000	4000	
Flange-Ø	D-class	123.9	155.4	165	190.5	209.5	254	
Face-to-face dimension	FF	160	200	230	290	310	350	
Height	H	69	89	89	125	150	166	
Weight	ca. kg	4.0	5.6	10.6	17.7	23.2	36.8	
Kvs – Value	m ³ /h	9.5	21.0	28.0	62.0	90.0	118.0	
Cv – Value	gal /min	11.0	24.3	32.4	71.7	104.0	136.4	

Dimensions in mm.