

Valves for Cryogenic Service

Type 01313 - Actuated Globe Valve

HEROSE



Cryogenic-Globe Valves with Pneumatic Actuator, PN50

Bronze body and stainless steel topwork (internal parts bronze)

Actuator - air opens, spring closes or contrary

"live loaded" gland packing

"cleaned and degreased for oxygen service" - the actuator is not cleaned and degreased for oxygen

Part No. 01313.X.1010

Socket end for copper stubs acc. to DIN EN 12449 or ASTM B88

Available accessories:

- Solenoid valve
- Limit switch
- Electropneumatic positioner etc.

Available options - on request only:

- Socket end for stainless steel pipes acc. to DIN EN ISO 1127
- Actuator "cleaned and degreased for oxygen service"
- Electric actuator
- Bellow sealed option



Applications:

Approved for air gases, vapours and cryogenic liquefied gases incl. LNG.

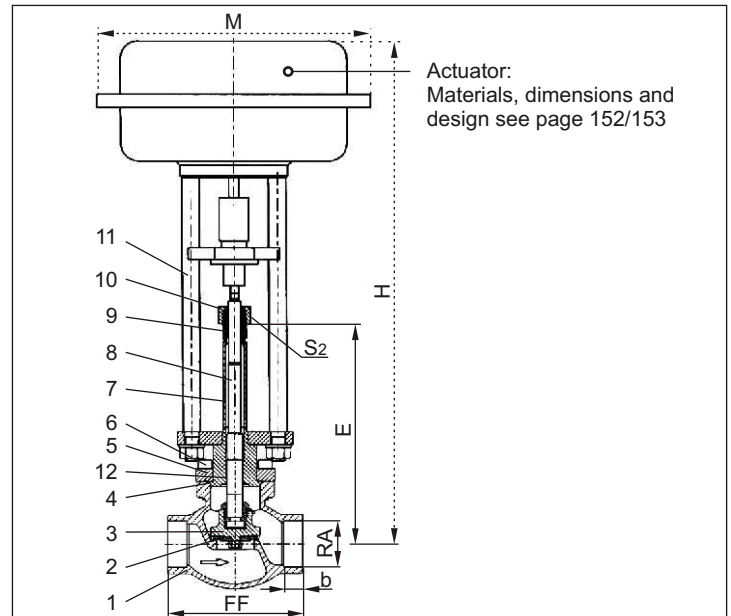
Working temperature: -196°C / -321°F (77K) up to +120°C / +248°F (393K)

Materials	DIN EN	ASTM
1 Body	CC491K	B 62 UNS C83600
2 Valve seal	PTFE / Carbon filled (25%)	
3 Disc	CW614N	B 283 UNS C38500
4 Bonnet gasket	PTFE	
5 Headpiece	1.4301	A 276 Grade 304
6 Bolts	1.4301/A2	A 194 B8
7 Elongation tube	1.4541	A 213 TP 321
8 Stem	1.4301	A 276 Grade 304
9 Gland packing	Graphite / PTFE	
10 Gland nut	CW614N	B 283 UNS C38500
11 Pillars	1.4301	A 276 Grade 304
12 Bush	CW452K	B 103 UNS C51900

Standard marking acc. to Pressure Equipment Directive 97/23/EG (PED).



Marking acc. to Directive 99/36/EG (TPED) will only be carried out by written notice on purchase order.



Type 01313 – Standard design	Technical data								
	Nominal size	DN	10	15	20	25	32	40	50
Dimension code	.X.	X=DNRA, Example: valve DN15 for copper pipe RAØ18mm, X=1518							
Face-to-face dimension	FF	60	85	85	115	115	140	160	
Height	H	dependent on actuator							
Length	E	195	195	200	200	230	230	235	
Outside pipe-Ø	RA	dependent on order							
Socket depth	b	6	6	8	8	10	13	20	
Actuator-Ø	M	dependent on actuator							
Wrench size across flats	S ₂	30	30	30	30	36	36	36	
Weight w/o actuator	ca. kg	1.6	2.3	2.7	3.1	4.3	6.2	9.2	
Kvs – Value	m ³ /h	1.6	4.3	6.7	11.5	12.1	22.6	37.1	
Cv – Value	gal /min	1.9	5.0	7.8	13.4	14.1	26.3	43.2	

Dimensions in mm.